



# Shelving, Inc.

"Making Space Work Harder Since 1960"

## Kid's Locker Assembly and Accessory Guide

Phone 800-637-9508



Twitter: @Shelving\_



Facebook: Shelving.com

Commercial

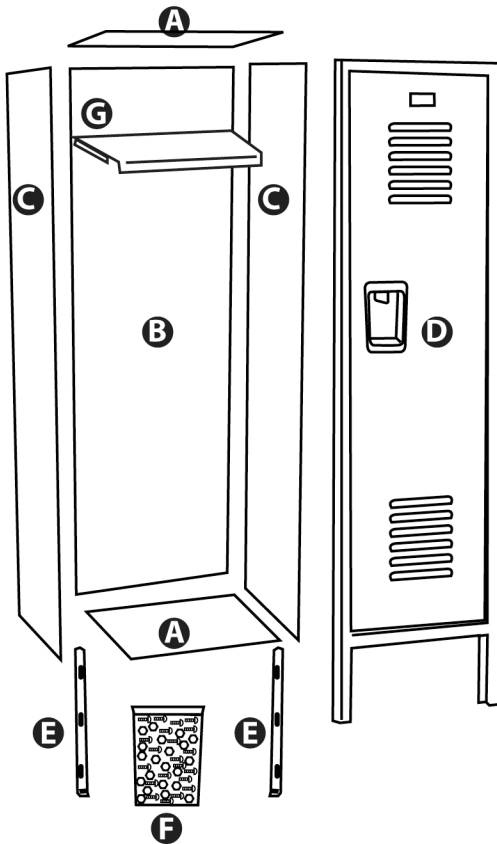
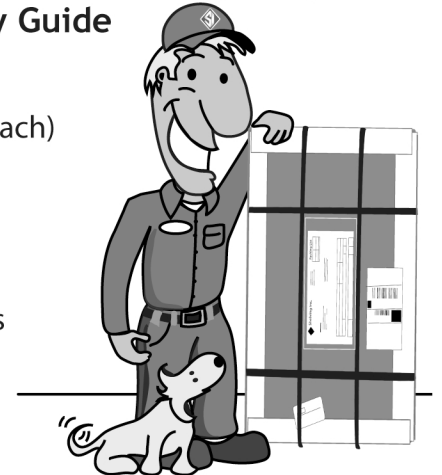
www.Shelving.com

Residential

www.TheShelvingStore.com

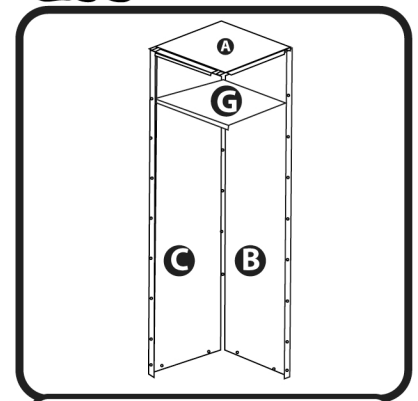
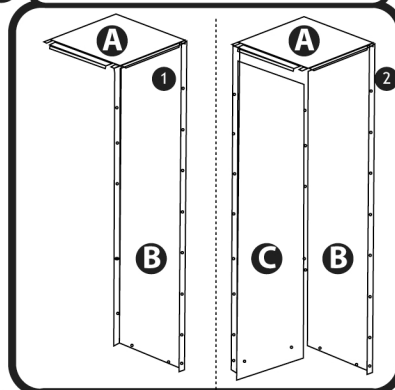
Catalog

www.ShelvingCatalog.com



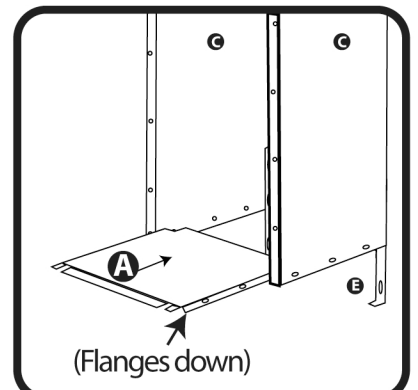
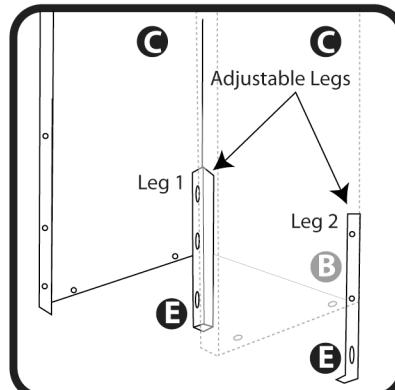
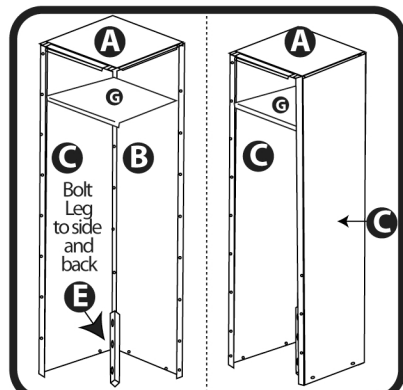
- A** Top and Bottom (Front tabs on each)
- B** Back Panel
- C** 2 Side Panels
- D** Locker Door and Frame
- E** Adjustable Legs
- F** Bag of Hardware with extra parts (w/hooks: 4 single & 1 double)
- G** Hat shelf (smooth front)

### 1 Bolt Top to inside of Back



### 2 Bolt side panel to back and top

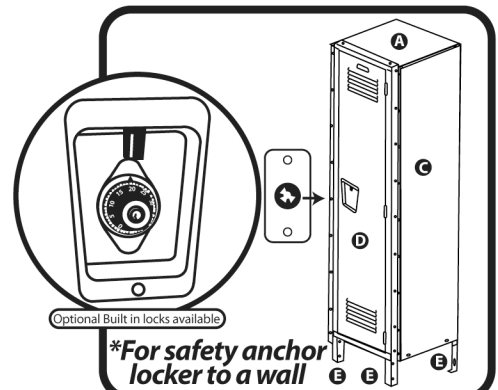
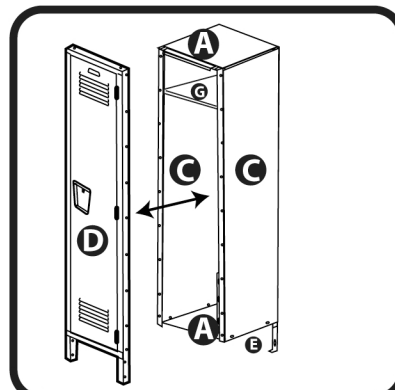
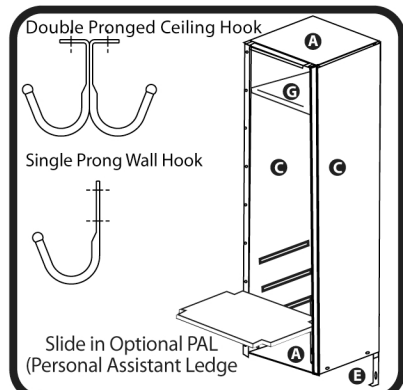
### 3 Bolt shelf to side panel and back



### 4 Bolt second side panel to top and back

### 5 Bolt second leg to side and back

### 6 Bolt bottom to sides and back



### 7 Bolt double pronged ceiling hook to shelf & single prong wall hook to sides & back

### 8 Bolt door frame to sides, top and bottom

### 9 Bolt lock hole cover plate to inside of door

Printed Using Recycled Paper